

Ucamco  
Bijenstraat 19

9051 Gent  
Belgium

## UcamX v2023.01

# UcamX v2023.01

We proudly present the latest version of our groundbreaking CAM software for Rigid, Flex and HDI PCBs.

Upgrade now to enjoy all the exciting new functionalities!



### Rout Manager

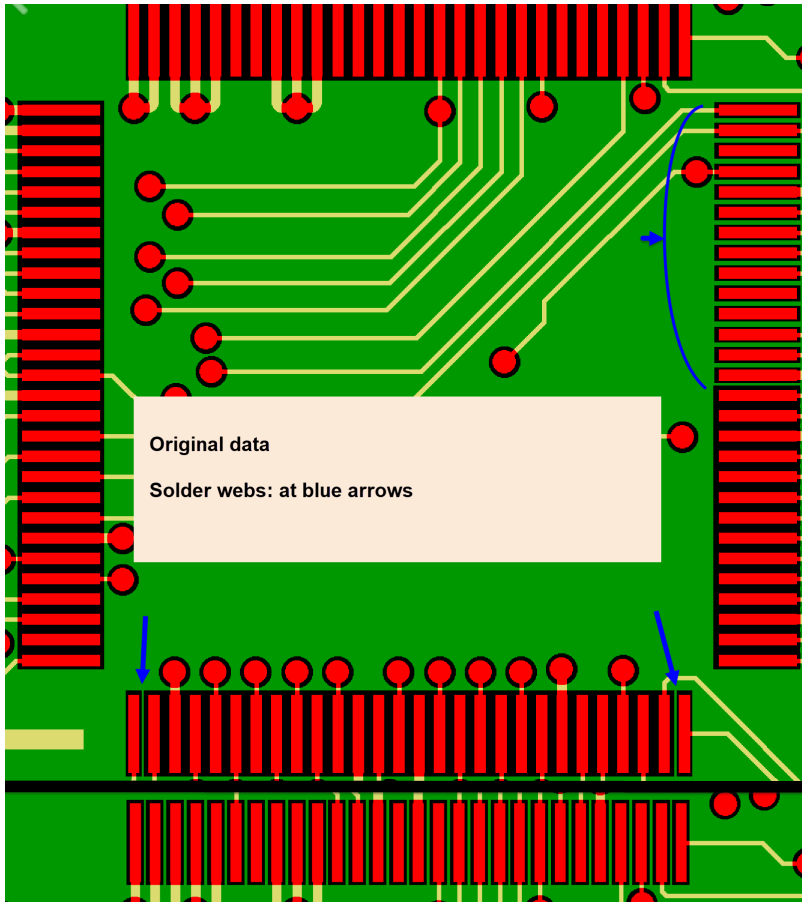
Work more  
efficiently

## YELO Mask Adjuster

- Option to **keep merged SMD mask openings merged**  
Automatically handle denser boards
- Automatically delete **unnecessary** negative **objects**  
No additional manual handling

*(Upgrade free of charge for users under maintenance with the Soldermask Optimizer license)*

Keep merged SMD mask openings (rectangular) merged



## Object Summary Table

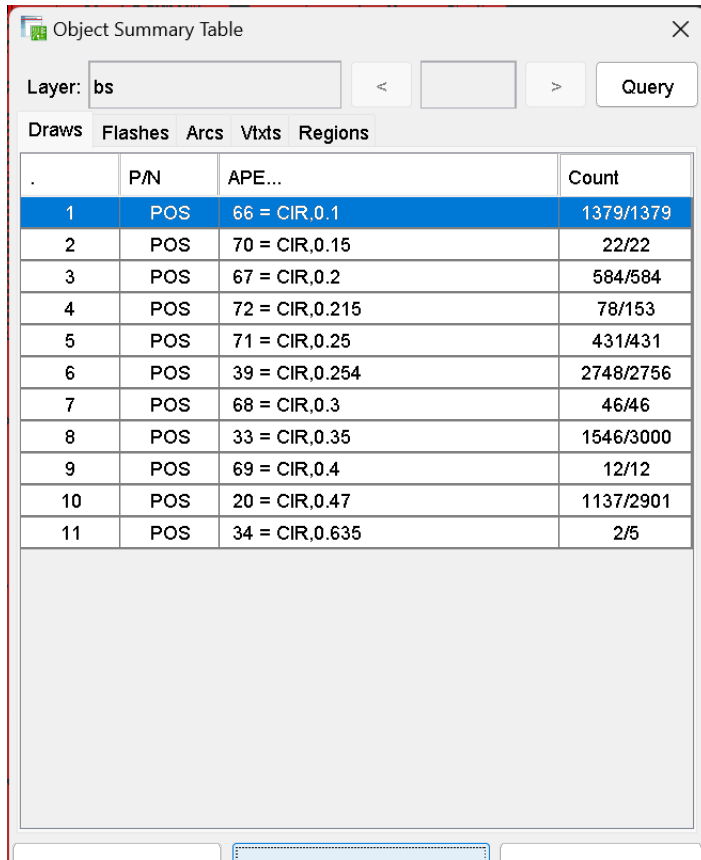
- View existing objects **sorted by type and size**  
Find smallest pads or draws quickly

*(Free of charge for users under maintenance)*

Ucamco  
Bijenstraat 19

9051 Gent  
Belgium

Objects sorted in tabs by type and objects by size (small to big)



Object Summary Table

Layer: bs

Draws Flashes Arcs Vtxs Regions

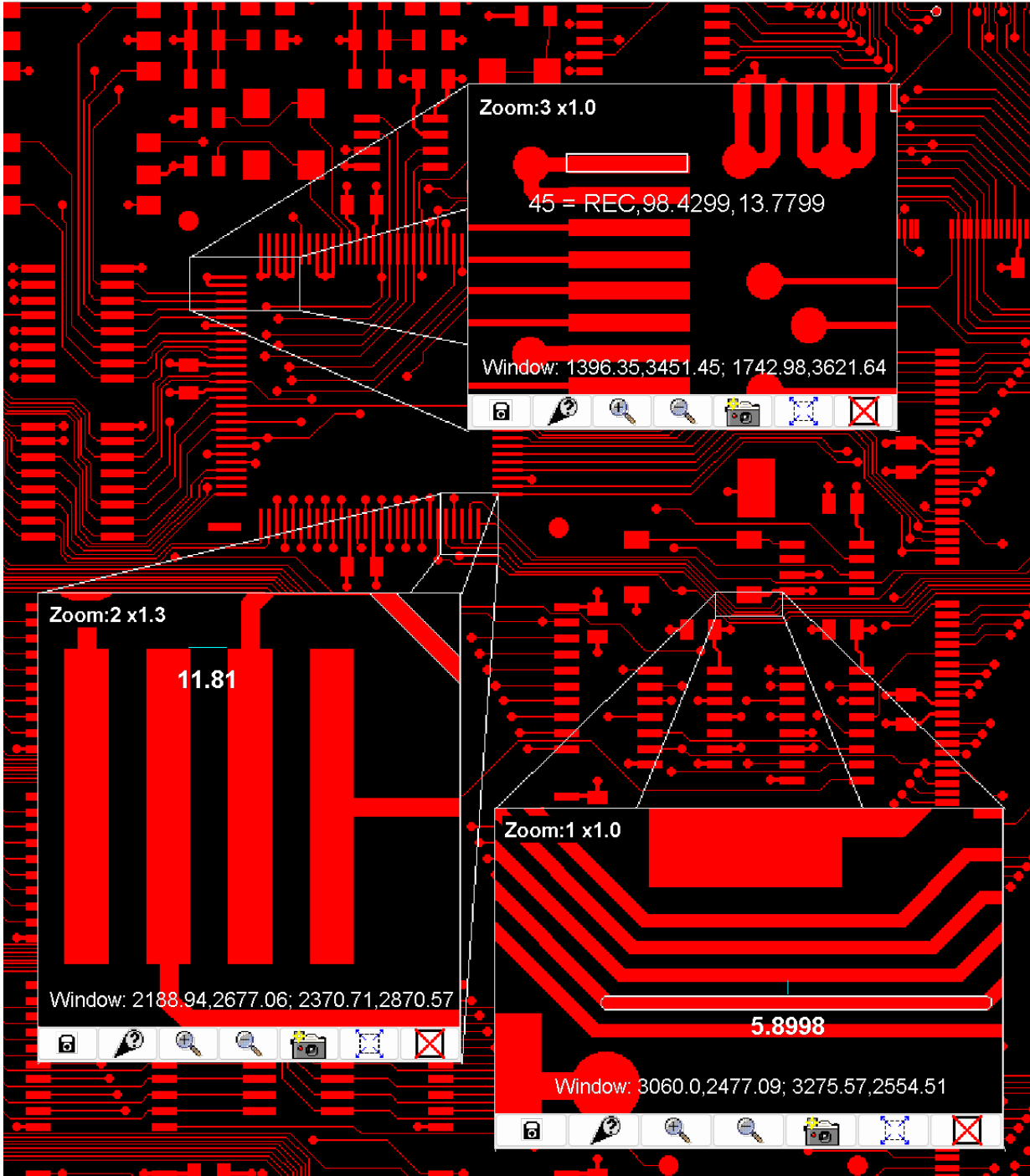
.	P/N	APE...	Count
1	POS	66 = CIR,0.1	1379/1379
2	POS	70 = CIR,0.15	22/22
3	POS	67 = CIR,0.2	584/584
4	POS	72 = CIR,0.215	78/153
5	POS	71 = CIR,0.25	431/431
6	POS	39 = CIR,0.254	2748/2756
7	POS	68 = CIR,0.3	46/46
8	POS	33 = CIR,0.35	1546/3000
9	POS	69 = CIR,0.4	12/12
10	POS	20 = CIR,0.47	1137/2901
11	POS	34 = CIR,0.635	2/5

## Magnifier II

- **Effortless** creation of documentation
  - Fulfill customer requests for documentation
  - Exchange information between customers, CAM, engineering and production

*(Free of charge for users under maintenance)*

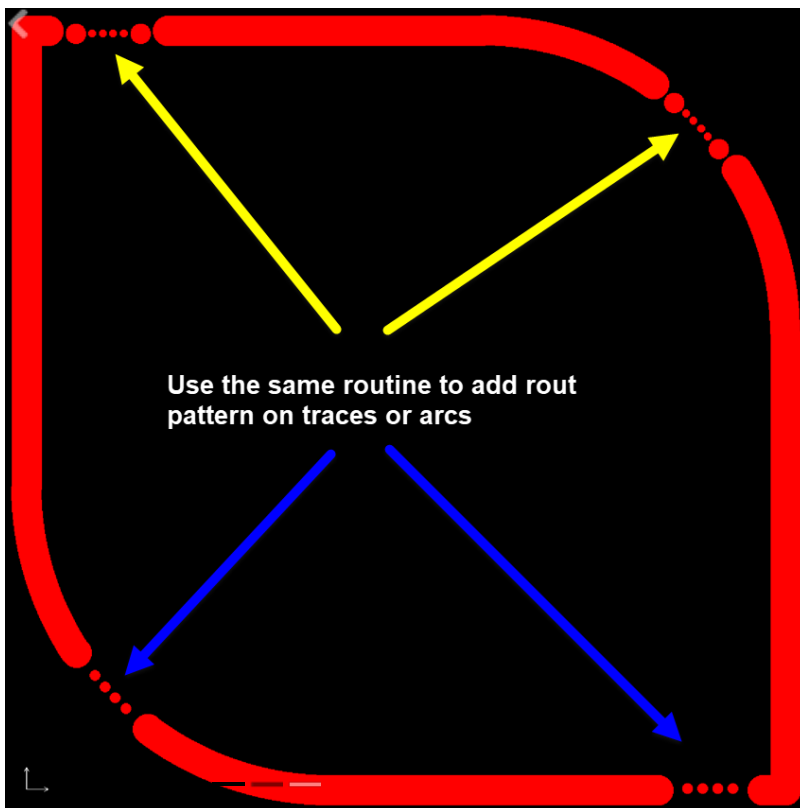
Create pop-up windows for critical positions and add information like clearances, object information and position.



## Rout Manager

- New feature to add **route pattern on arcs**  
Eliminate unnecessary manual labor
- **Option to auto-trim** all diameters or only equal diameters  
Faster route path optimization
- **Improved** Rout Group **Order** based on aperture  
Prevent useless tool changes
- Control the **font size** of the **group numbers**  
Avoid unreadable information
- Modify corners **on selections**  
More efficient workflow

*(Free of charge for users under maintenance with the corresponding license)*



Ucamco  
Bijenstraat 19

9051 Gent  
Belgium

## Input GDSII

- New implementation of **GDSII** import  
Access markets where GDSII is a common format
- Impressive import speed  
Fast import of high volume data
- High performance zoom  
Time saving zoom method

*(Free of charge for users under maintenance with the corresponding license)*

---

## SmartTest

- **Improved** testpoint generation  
Reduced manual handling

*(Free of charge for users under maintenance with the corresponding license)*

---

## CAD Output Gerber X2/X3

- Output all **important** attributes  
Seamless exchange of job data  
Excellent interchange of information

*(Free of charge for users under maintenance with the corresponding license)*



---

## Input Drill/Rout

- Optimized input for Excellon 1/2, S&M3000 and Posalux  
**Easy control** of the conversion of routed circles  
More sophisticated compensation options

*(Free of charge for users under maintenance with the corresponding license)*

---

Ucamco  
Bijenstraat 19

9051 Gent  
Belgium

## Check for update

- New feature to check whether the Ucamco software used is up to date
  - Get all the **benefits** the software offers
  - Stay at the cutting edge of technology

*(Free of charge for users under maintenance)*

---

## And more ...

UcamX v2023.01 comes with a host of [fixes](#) for issues you have cared to report.

Please keep on doing so. Your feedback is highly appreciated. Thank you.

We list major open issues as soon as they are detected in the file `Open_Issues_yymmdd.txt` in the version folder of the FTP site. Please monitor this to avoid potential production problems.

---

## Install v2023.01

We recommend to install this update at your earliest convenience.

The installer can be downloaded from the Ucamco FTP download server. We recommend to use an FTP client as most browsers do not support FTP.

For questions please contact our local business partner or the Ucamco helpdesk.

We thank you for choosing UcamX.

---

## Detailed demo

The video below provides a more in-depth tour of what is new. Click play to start the video or watch it directly on our [YouTube channel](#).